

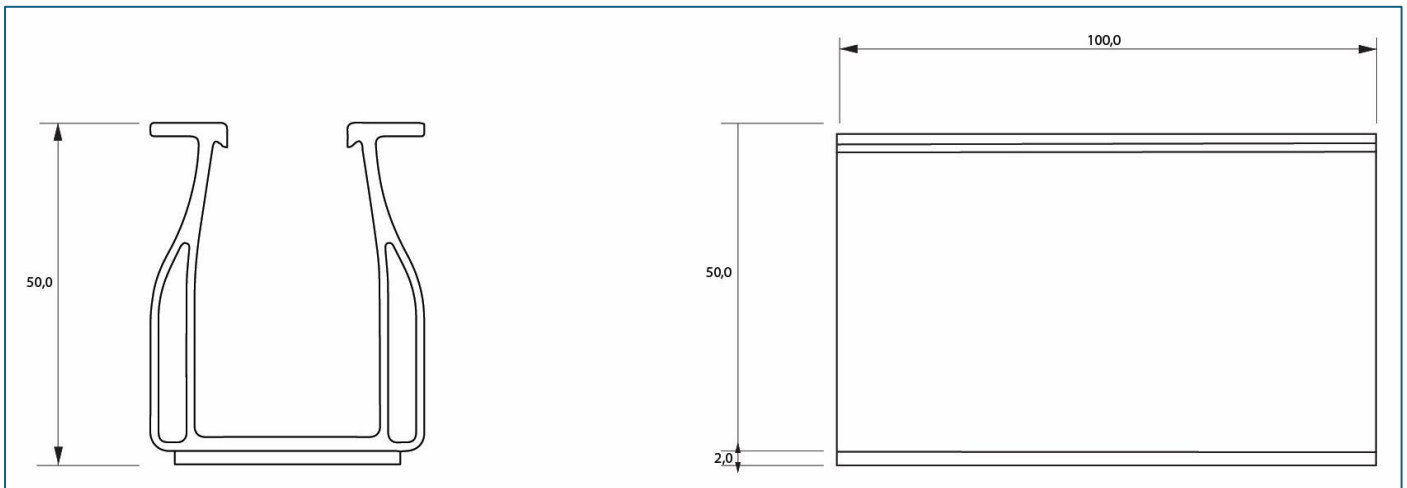
# ROOFTOP LM-SRL-M6-E



### Short Rail with EPDM for IBR Roofs

This rail is designed for most common IBR roofs with a 35 mm wide crest and features three M6 mounting holes.

Application	IBR 686 and similar trapezoidal roof sheeting Not applicable to all trapezoidal roof sheeting Ideal for Landscape Mounting
Key Features	<ul style="list-style-type: none"> <li>• Fast and easy to install</li> <li>• EPDM layer for a water-resistant seal.</li> <li>• Cost-effective due to minimal material use.</li> <li>• Compatible with grounding washer, mid and end clamps.</li> </ul>
Material	Aluminium 6005-T5, EPDM
Product Type	Pierced fix
Specifications	Anodized > 13 µm
Dimensions	H50 mm x L 100 mm x W 40 mm
Weight	99.5 g
Orientation	Landscape



#### Easy Installation and Leak-Resistant

Compatible grounding washer, mid- and end clamps that enable fast and easy installation. The LM-SRL-M6-E Features a leak-resistant EPDM layer.



#### Durable and Non-Corrosive

Featuring aluminium 6005 T5, it ensures reliable performance over time. Ideal choice for residential, commercial, or industrial solar applications.