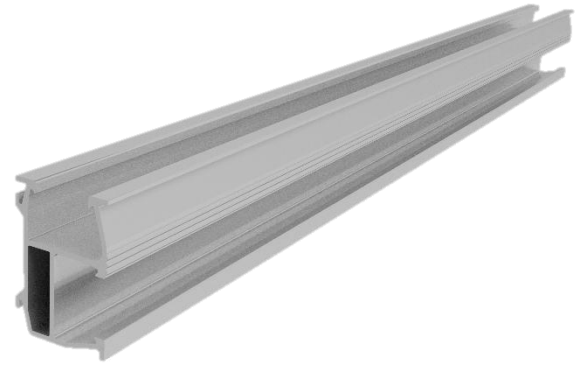


ROOFTOP LM-R46



LM-R46- (length) Top/Side Rail

Top/Side mount rails are crafted from durable, high-grade aluminium, ensuring a secure foundation for PV Panels. This design supports clean aesthetics and reliable structural performance

| | |
|-------------------|--|
| Application | Compatible with L-Brackets, Roof Hooks, Portrait-tilted systems (AFP), and cross connectors for versatile installation options. |
| Key Features | <ul style="list-style-type: none"> • Durable, non-corrosive material • Compatible grounding/bonding inserts, mid-and end clamps, rail splices, rail nuts, cross connectors and angle brackets. |
| Material | AL 6063-T6 (Standard) / AL 6005-T5 (Special Request) |
| Specifications | Mill Finish (anodising available on request) |
| Dimensions | H 46 mm x W 30 mm |
| Total Weight | 785g/m |
| Available Lengths | <ul style="list-style-type: none"> • 3.15 m • 3.3 m • 4.15 m • 4.4 m • 4.7 m • 5.15 m • 5.45 m • 6.2 m • Custom lengths available |

