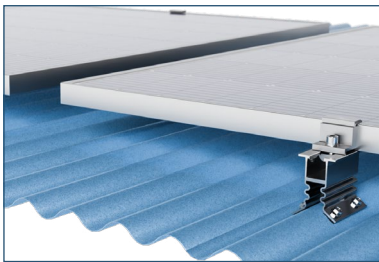
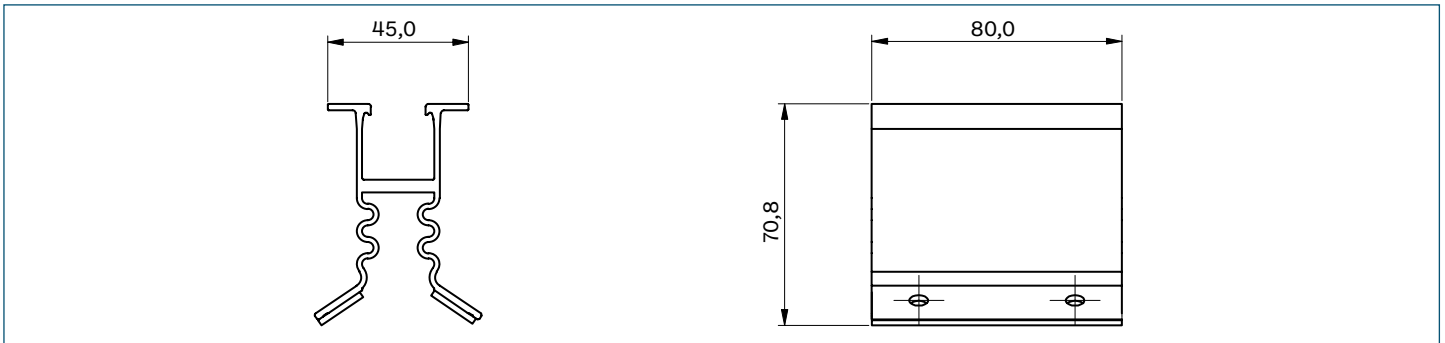




Short Rail with EPDM for Corrugated Sheetting

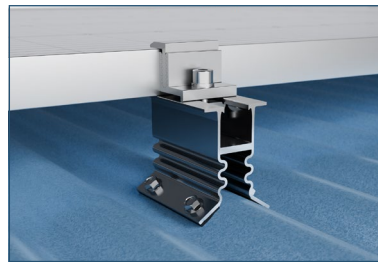
Pre-punched M6 holes ensure effortless landscape mounting, streamlining the installation process and saving valuable time for installers.

Application	Popular corrugated sheets
Key Features	<ul style="list-style-type: none"> Fast and easy install Pre-punched holes make install easy Good ventilation clearance Durable, non-corrosive materials Double gasket for water resistant seal Compatible with grounding washer, mid- and end clamps Four M6 mounting holes
Material	Aluminium 6005-T5, EPDM
Product type	Pierced Fix
Specifications	Anodized > 13 µm
Dimensions	H 70 mm x L 80 mm x W 53 mm
Total Weight	101 g (excluding fasteners)
Orientation	Landscape



Superior Material

Made from high-strength Aluminium 6005 T5, the LM-CRL ensures durability and reliable performance in demanding conditions. Its short rail design enhances portability, making on-site installations more efficient and convenient.



Versatile and Leak-Proof

Compatible with most corrugated sheet profiles, the LM-CRL features a leak-preventing EPDM layer at screw points. This design provides reliable protection and adaptability for diverse mounting needs.